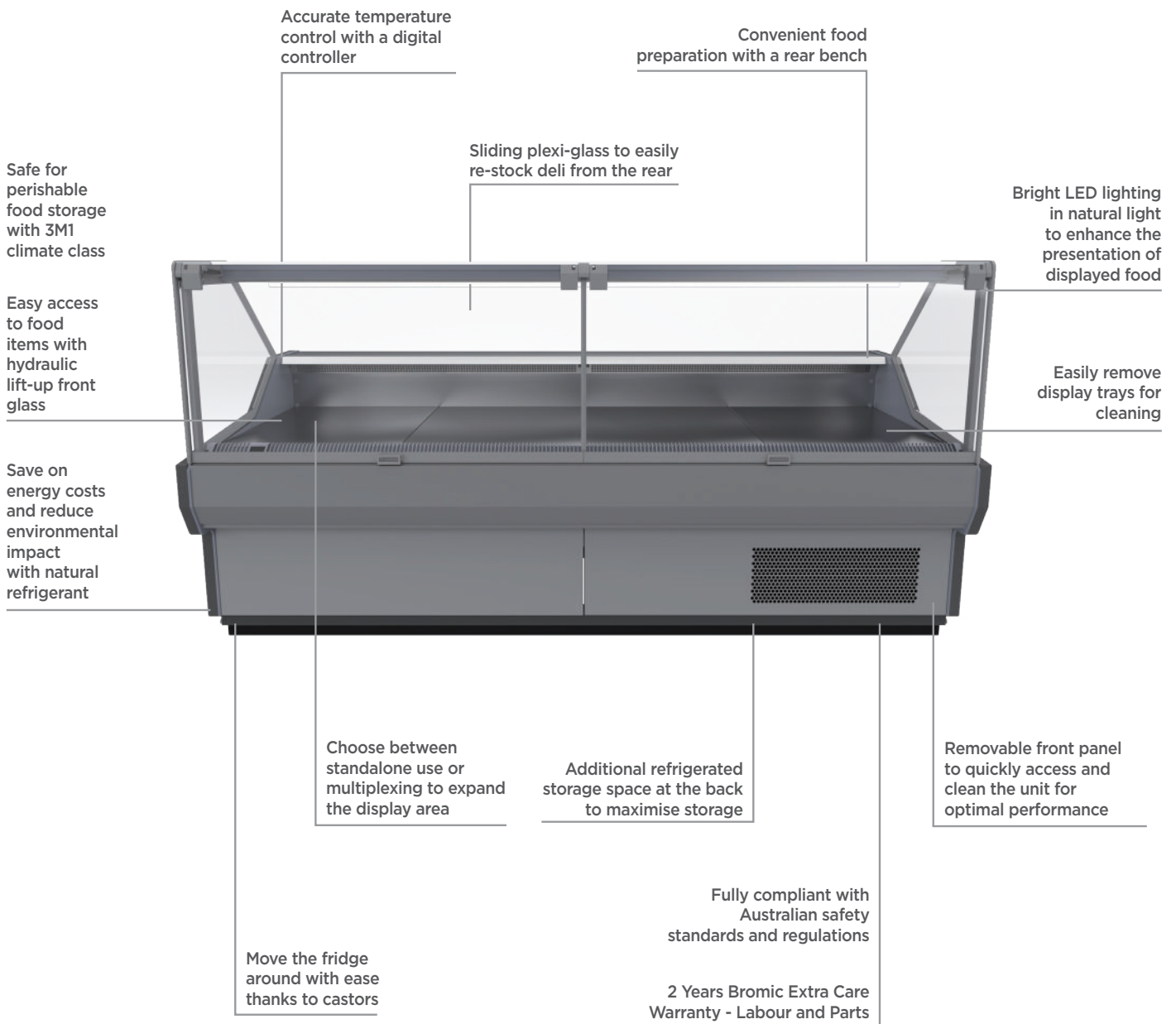


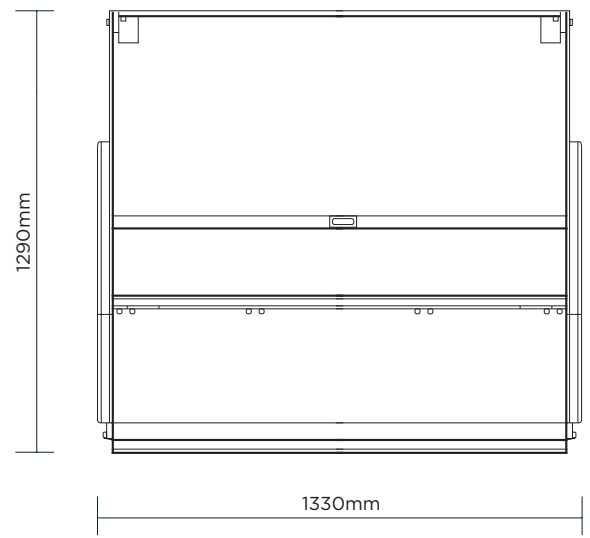
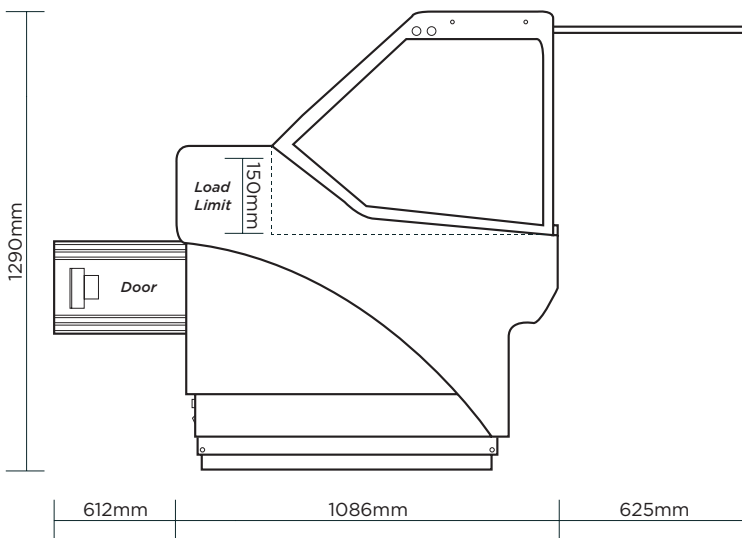
Square Glass Deli Display 1330mm

| Deli Displays



Square Glass Deli Display 1330mm

| Deli Displays



SPECIFICATIONS

Part Number	3335631
Volume	351L
Unit Weight	237kg
Packaged Weight	249kg
Adjustable Temp. Range	-1 to 10°C
Max. Ambient Temp. Range	25°C
Climate Class	3M1
Energy Consumption	6.1kWh/24h
Refrigeration Capacity	389W
Refrigerant	R290
Air-Circulation	Fan Forced
Rated Current	1.69A
Electrical Voltage	220-240V
Frequency	50Hz
Power Supply	Single Phase
Power Plug	1 x 10A
Plug Location	Rear, bottom left

Cord Length	2m
Internal Light	LED
Colour Temp.	4000K
Door Lock	No
No. of Doors	1
Door Type	Solid
Door Style	Hinged
Door Swing Dimension	625mm
Total Depth of Door Open	1721mm
Defrost System	Automatic
Temp. Controller	Digital
Rear Storage	Yes
Castors	Yes
Hydraulic Lift-up System	Yes
Front Lifting Glass	Yes
Colour	Grey
Warranty	2 Years Bromic Extra Care Warranty - Labour and Parts

DIMENSIONS

External (mm)	
Width	1330
Depth	1086
Height	1290
Packaged (mm)	
Width	1350
Depth	1180
Height	1740