

**WARRANTY 3 YEARS**  
PARTS & LABOUR



**Turbo air**

## SALAD TABLE - BUFFET

REFRIGERATOR  
MODEL : KHR9-1-N / KHR9-1(HC)

### FEATURES / BENEFITS

#### Digital temperature control & monitor system

Keep food products safe by maintaining constant temperatures. External digital display allows for easy monitoring.

#### Hydrocarbon(HC) refrigerants (R-290)

With innovative and eco-friendly technology, Turbo Air brings you hydrocarbon refrigerators designed to meet DOE's Energy Conservation Standards in 2017 and to use EPA's SNAP Program approved HC refrigerants. Hydrocarbon refrigerants do not deplete the ozone layer and have very low affect to global warming (ODP-0, GWP-3).

#### Side mount compressor unit

With compressors positioned on the side of the unit, our refrigerators can now be serviced without being moved. Our innovative, front breathing feature also allows this model to be highly efficient in narrow spaces.

#### Exterior & interior of the cabinet

The Turbo Air K-series boasts a stainless steel exterior (galvanized steel back and bottom). Interior is stainless steel floor with AL sides, back and AL door liners. It guarantees the utmost in cleanliness and long product life. The K-series adds a touch of style to the most refined setting.

#### High-density polyurethane insulation

The entire cabinet structure and solid doors are foamed-in-place using high density, CFC free polyurethane insulation.

#### Hot gas condensate system

Through Turbo Air's creative innovation, the condensate system surfaces have been specially treated to resist corrosion. This not only increases efficiency without the risk of refrigerant leakage from corrosion, but also thoroughly prevents the overflow of condensate water.

#### Ergonomically designed doors

Customers' fatigue fades away with easy grip handles and doors that open effortlessly. These features along with self-closing doors make this the ultimate choice in customer convenience.

#### Adjustable, heavy duty, PE (polyethylene) coated wire shelves

#### Easy open front grille with condenser cleaning brush kit

Front grille cover is easily removable without any tools, which makes condenser cleaning easy and convenient at any time. Handy condenser cleaning brush is included inside the front grille cover.

#### COLD AIR CURTAIN SYSTEM

Our innovative forced air system allows cold air to flow all around the food pan area, covering not only underneath the pan, but also to the front, top and the rear.

**The Meat function allows the compressor to run continuously for up to 2 hours. When activated, the temperature drops to freezing temperature. This is ideal when you put new stock and need to chill it quickly. Also for aging meat and fish to an ideal temperature. Please note it will freeze contents so use this function for a short time.**

**Refrigerator holds 1°C ~ 8°C for the best in food preservation**

#### NATURAL Refrigerant Front Breathing



- Pans included.



#### Fan control (only at Turbo Air)

Fan control function automatically shuts off the fan when the door is open, which prevents hot air from being drawn in, thus maintaining the cool inner temperature.

#### Standard features

- Anti-corrosion coated evaporator
- Self-contained system
- Standard 125mm. swivel castors with locks on the front set
- Door locks standard

#### Optional features

- 125mm castors fitted
- 180mm, 105mm, 80mm castors optional
- Adjustable legs 100-155mm

REFRIGERATOR MANUFACTURER  
**Turbo air**

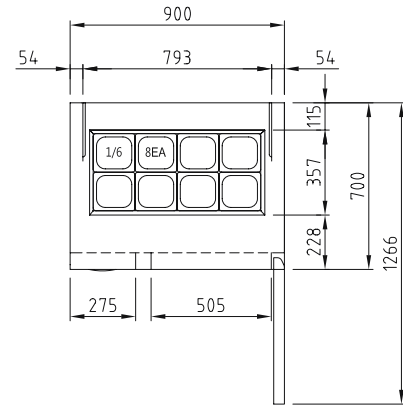
■ WARRANTY: 3 Year Parts and Labour Warranty

## SALAD TABLE - BUFFET

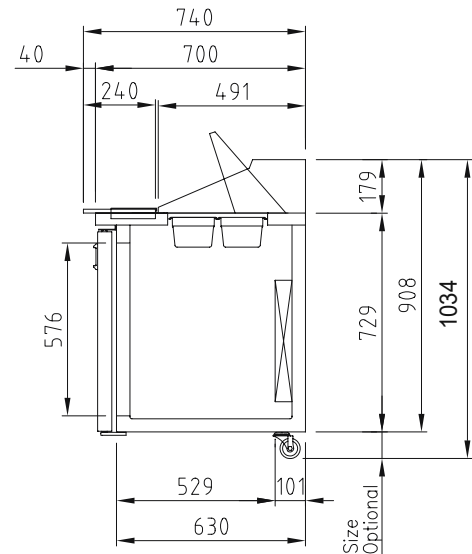
Model	KHR9-1-N(HC)
Refrigerant	R-290
POWER INPUT(W)	280
COMP (HP)	2/5HP
Energy consumption KW/24H	4.83 Not from Gems
AMPS(A)	1.5A
Capacity (ℓ)	213
Product Dimension W (mm)	900
Product Dimension D (mm)	700
Product Dimension H (mm)	855
Weight (Kg)	75
Stainless steel	SUS 439
Applied castors	125mm
Max GN Pan depth	150mm
GN Pan	1/6 GN Pan 100mm deep
Door lock	yes
Adjustable Shelves	1
LED light	No
Temperature range	1°C~8°C
Ambient temperature	35°C
Drainage / Forced Evaporation Type	Sop paper
Temperature control type	Digital control
Cooling type	FAN COOLING
Glass Type (Low-e / Heater / How many layer of the glass)	N/A
Features	Easy filter cover Energy efficient EXTRA DEEP CUTTING BOARD
Design and specifications subject to change without notice. Actual Shipping weight may differ due to extra packing materials for product protection.	

## PLAN VIEW

(unit : mm)



## PLAN VIEW



## SIDE VIEW

**WARRANTY 3 YEARS**  
PARTS & LABOUR



## AUSTRALIA BRANCH

**Turbo air**

email : TA.admin@turboairinc.com.au

22. 01. 2024

TURBO AIR PTY LTD  
[www.turboairinc.com.au](http://www.turboairinc.com.au)  
 1st Floor, Building E  
 10 Highgate St, Auburn  
 NSW 2144 Australia  
 T. 02 9737 9881