

SAUCE WARMER SINGLE & DOUBLE

MANUFACTURING
SINCE 1966



Model: SWA0001 & SWA0002

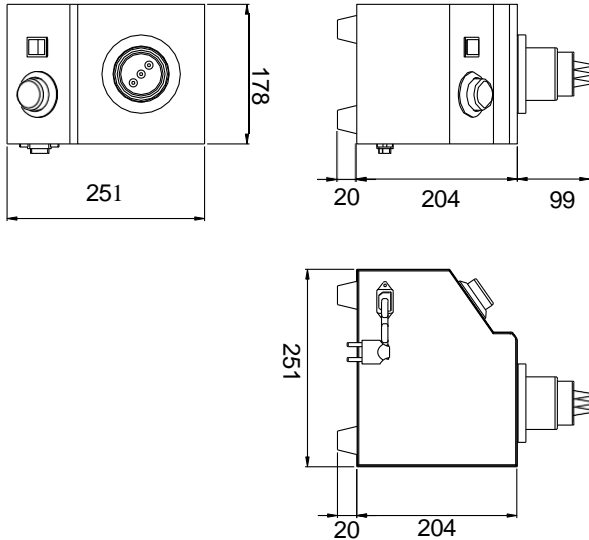


FEATURES

- Sealed well features a heating control, indicator light, 80W of power for single / 160W for double.
- Holds 1 x 35 oz. bottle for single / 2 x 35 oz. bottle for double to warm sauces, toppings, or dressings.
- Durable stainless steel; use on top of the counter or as a drop-in unit with angled controls.
- Easy-to-use master on/off switch.
- Controls adjust between 30-85°C to maintain the ideal serving temperature.



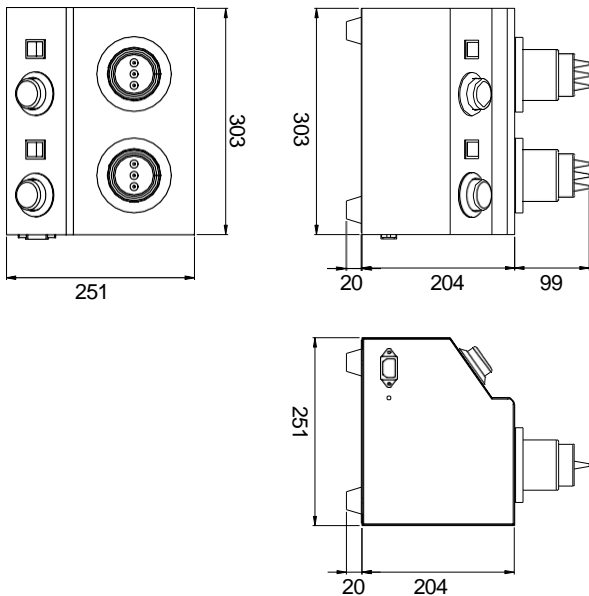
Model: SWA0001



SPECIFICATIONS

POWER	80 W
VOLTAGE	230V ~50Hz 1Phase
PACKAGING (W x D x H)	240 x 300 x 330mm
UNIT (W x D x H)	178 x 251 x 323mm
NET WEIGHT	2.3kg
GROSS WEIGHT	3.9kg
TEMP. RANGE	30-85°C
VOLUME OF BOTTLE	35 oz.

Model: SWA0002



SPECIFICATIONS

POWER	160W
VOLTAGE	230V ~50Hz 1Phase
PACKAGING (W x D x H)	355 x 300 x 330mm
UNIT (W x D x H)	303 x 251 x 323mm
NET WEIGHT	3.8kg
GROSS WEIGHT	4.5kg
TEMP. RANGE	30-85°C
VOLUME OF BOTTLE	35 oz.

NOTE

- When viewing the appliance from the front in its usual operating position, the width (W) of the product is the total distance from left to right; the depth (D) of the product is the total distance from the front to the back; the height (H) is the total distance from the bottom of the product to the top. Pictures may vary from actual product.