

## Two Solid Door Underbench GN1/1 Right Hand Fridge

**Range:** ProSpec  
**SKOPE ID:** P1BR2-B1  
**Dimensions:** 1290 mm (W) × 700 mm (D) × 850 mm (H)  
**Gross Volume:** 288 L

**Project:** \_\_\_\_\_

**Item #:** \_\_\_\_\_



A two solid door underbench fridge designed for busy kitchens at venues such as restaurants, clubs, pubs, and cafés. The fridge is engineered to safely store food in ambient environments of up to 40°C (climate class 5). With GEMS-certified 5M1 performance, standard storage temperatures range from 1°C to 4°C, or are adjustable via the SKOPE-connect smartphone app for specific food types from -2°C to 15°C. The fridge is made from food-safe 304 AISI stainless steel throughout the interior and exterior. The 700 mm deep cabinet with a fully welded and integrated worktop can be configured to suit multiple installation options. At 850 mm overall height, it can be positioned under a bench on the supplied castors, positioned on a pre-installed plinth by removing the castors, or fitted with optional legs for a finished working height of 900 mm. The two self-closing solid swing doors are fitted with ergonomic 3 mm gauge stainless steel handles, built-in barrel locks, and a stay-open position of 90°. Inside the fridge, there is a door-activated LED light and 2 × 304 stainless steel GN1/1 shelves per door on double-row runners, which can also hold an additional GN1/1 pan. The fridge is fully configurable, with the doors swappable for either two or three GN drawer bays. The slim right-hand service compartment features an easily removable and cleanable condenser filter. The fully removable refrigeration cartridge uses R290 natural refrigerant for low energy consumption, low heat discharge and low noise output. Left-hand services are also available. It is fully front breathing with no side or rear clearance space required and can be easily removed in line with best practice for safe servicing of flammable refrigerants. The fridge includes a smart controller that connects to the free SKOPE-connect app to enable you to set temperatures and alerts, monitor temperatures and energy, and more. The fridge is certified to all Australian and New Zealand refrigeration and electrical safety standards.



Warranty



Natural Refrigerant



GEMS



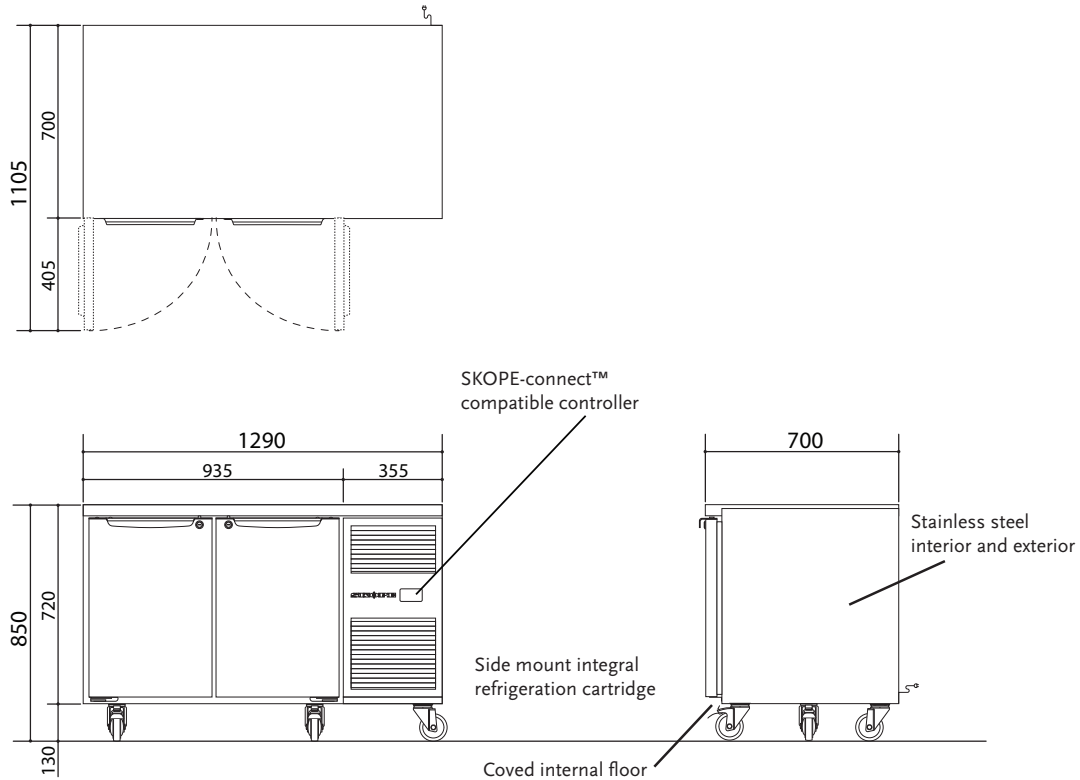
304 Stainless Steel



GN-compatible



SKOPE-connect



### Cabinet

<b>Type</b>	Underbench		
<b>Finish</b>	304 AISI stainless steel		
<b>Insulation</b>	Type	PU foam	
	Thickness (mm)	50	
	Blowing Agent	Cyclo-iso pentane (C5H10/C5H12)	
<b>Doors</b>	Type	Solid swing door (barrel lock)	
	Opening Size	Height (mm)	555
		Width (mm)	355
<b>Shelving</b>	Four 304 stainless steel wire shelves 4 x shelf (330W x 550D)		
<b>Gastronorm</b>	Size	1/1	
<b>Lighting*</b>	1 x 400 mm, 4W LED light (door-activated)		

### Dimensions†

	External	Internal	Packed
<b>Width (mm)</b>	1290	820	1350
<b>Depth (mm)</b>	700	580	770
<b>Height (mm)</b>	850 (standard castors)		
	860 to 900 (legs)	605	900
	720 (plinth mount)		
<b>Weight (kg)</b>	113		125
<b>Gross Volume (L)</b>	288		
<b>Footprint (m<sup>2</sup>)</b>	0.9		

### Ventilation (mm)

Top	Sides	Rear
Not required	Not required	Not required

### Dimensional Tolerances

† Allow for dimensional tolerances when installing the cabinet(s).

Linear dimensions	Single cabinet		Multiple cabinets	
			At each joint	At each end wall
Less than 1 metre	±5 mm		±5 mm	+15 mm
More than 1 metre	-5 mm to +10 mm		-5 mm to +10 mm	+15 mm

### Performance

<b>Product Temperature Range (°C)</b>	1 to 4 (adjustable* from -2 to +15)	
<b>Maximum Ambient Temperature (°C)</b>	40	
<b>Sound Level (dB(A))</b>	Standard	61
	Hush Mode*	59

### Greenhouse and Energy Minimum Standards (GEMS)

<b>Star Rating</b>	7	
<b>Product Temperature Class</b>	5M1 (-1 to 5°C)	
<b>Total Energy Consumption</b>	1.64 kWh/24 h	
<b>Annual Running Costs</b>	\$180 (@ \$0.30/kWh)	

### Electrical

<b>Supply</b>	220-240 volts a.c., 50 Hz, single phase supply	
<b>Cord</b>	2 m power cord with 3-pin, 10 amp plug	
<b>Current Draw (A)</b>	2.0	

### Refrigeration

<b>Controller</b>	SCS Connect (SKOPE-connect™ compatible)	
<b>System Type</b>	Removable cartridge	
<b>Cartridge Weight (kg)</b>	30	
<b>Refrigerant/Charge</b>	R290/80 g	
<b>Nominal Capacity (W)</b>	390 (EN12900 MBP)	
<b>Heat Rejection (W)</b>	Average 65	Peak 70
<b>Defrost Type</b>	Automatic, electric	
<b>Drainage</b>	No plumbing required	

\* Accessible via the free SKOPE-connect™ app.



PG11.UBR.2.SD.RH  
on the SKOPE website