



People who serve, products that solve.™

PERFORMANCE

TQ-1800H CONVEYOR TOASTER - up to 1200 slices per hour!

The Hatco Toast-Qwik® 1800H is the conveyor toaster with fast, dependable and versatile toasting, offering up to 1200 slices per hour for the busiest of venues.

This powerful performer boasts adjustable upper and lower heating elements, variable speed control, Stand-by mode for power saving, and ColorGuard® technology to monitor the toasting cavity temperature to vary conveyor speed. This method allows for instant automatic adjustment of toasting time to match the bread product being toasted and eliminates the variations caused by peak and low demand times.

Standard features

- Hatco's ColorGuard sensing system assures toast uniformity
- Power save mode with indicator light saves energy and money during slow periods
- Adjustable upper and lower heating elements for maximum control of toast quality
- Efficient design of front or rear discharge allows Toast-Qwik to be placed where it is most convenient – for sending product to operator side or customer/server
- Opening height is 76mm
- Insulation and an interior fan provide cool surface temperatures
- Toast storage area keeps bread warm and dry
- Comes with our exclusive 13 month on-site parts and labour warranty*

*See full terms & conditions



FSM (FOOD SERVICE MACHINERY PTY. LTD.)

HEAD OFFICE:

21-23 Agosta Drive, Laverton North,
Vic. 3026 Australia
T: +61 3 9368 2300 F: +61 3 9369 3800
E: sales@fsm-pl.com.au W: www.fsm-pl.com.au

SYDNEY OFFICE:

Unit 15, 7-9 Progress Circuit,
Prestons, NSW 2170
T: +61 2 9608 8620 F: +61 2 9607 9370
E: sales@fsm-pl.com.au W: www.fsm-pl.com.au

QUEENSLAND:

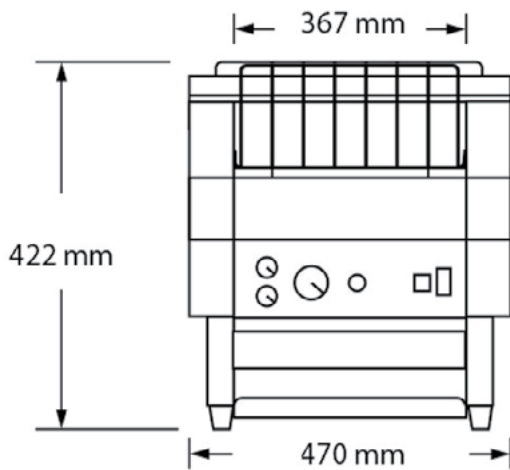
T: 0400 099 992
E: sales@fsm-pl.com.au
W: www.fsm-pl.com.au

PERTH:

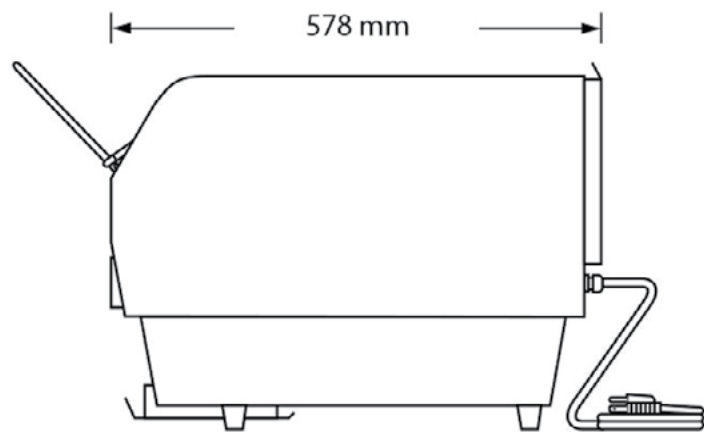
T: 0413 893 311
E: sales@fsm-pl.com.au
W: www.fsm-pl.com.au



Model TQ-1800H Toast-Qwik® High Output Electric Conveyor Toaster



FRONT VIEW



SIDE VIEW

SPECIFICATIONS

Model	Dimensions (Width x Depth x Height)	Volts	Hertz	Phase	Watts	Amps	Ship Weight*
TQ-1800H	470 x 578 x 422 mm Tray extends 165 mm in rear	240	50	Single	4650	19.4	33 kg

* Shipping weight includes packaging.
Unit is supplied unplugged

CORD LOCATION Bottom right corner on back of unit.

FSM (FOOD SERVICE MACHINERY PTY. LTD.)

HEAD OFFICE:

21-23 Agosta Drive, Laverton North,
Vic. 3026 Australia
T: +61 3 9368 2300 F: +61 3 9369 3800
E: sales@fsm-pl.com.au W: www.fsm-pl.com.au

SYDNEY OFFICE:

Unit 15, 7-9 Progress Circuit,
Prestons, NSW 2170
T: +61 2 9608 8620 F: +61 2 9607 9370
E: sales@fsm-pl.com.au W: www.fsm-pl.com.au

QUEENSLAND:

T: 0400 099 992
E: sales@fsm-pl.com.au
W: www.fsm-pl.com.au

PERTH:

T: 0413 893 311
E: sales@fsm-pl.com.au
W: www.fsm-pl.com.au