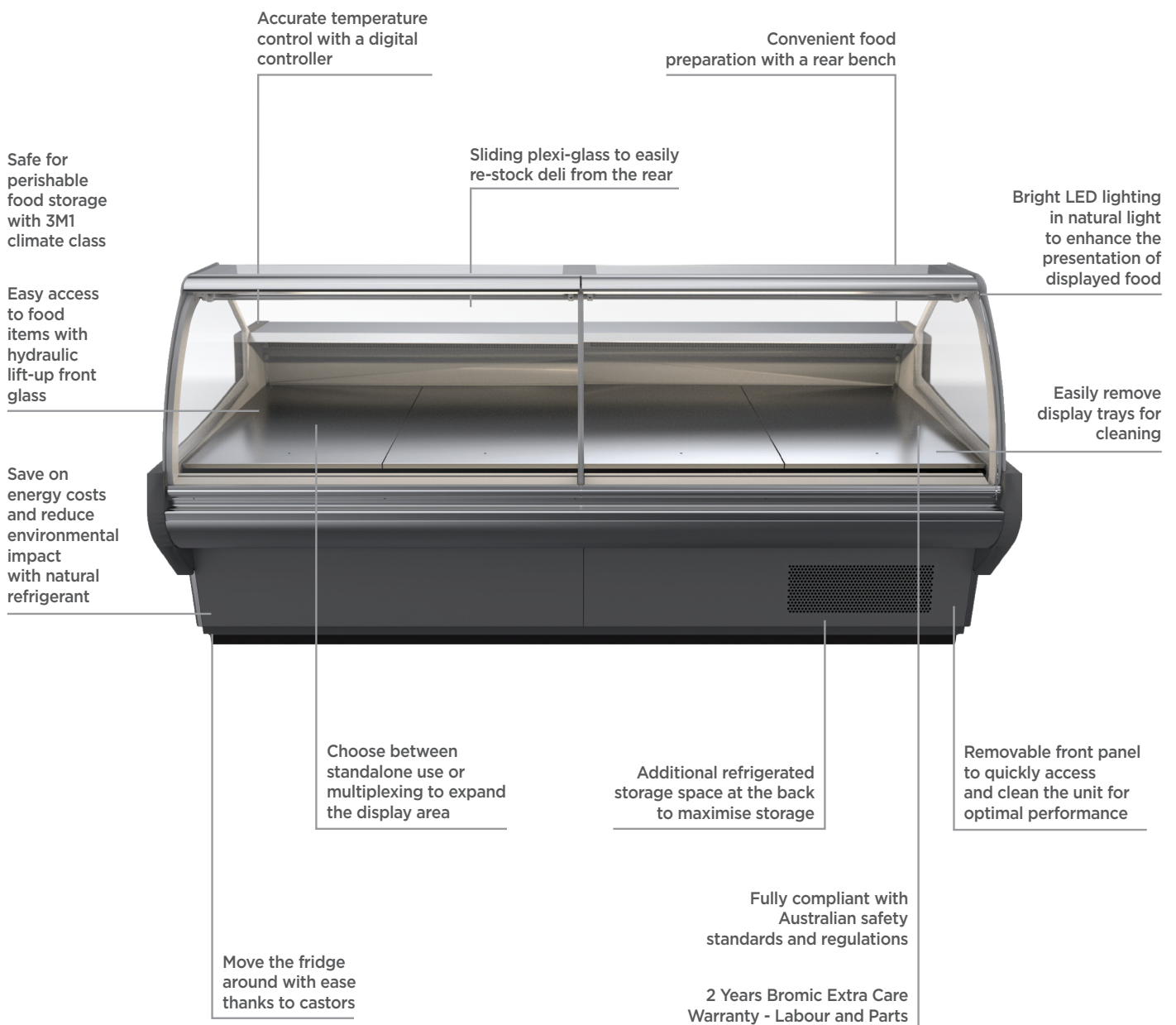


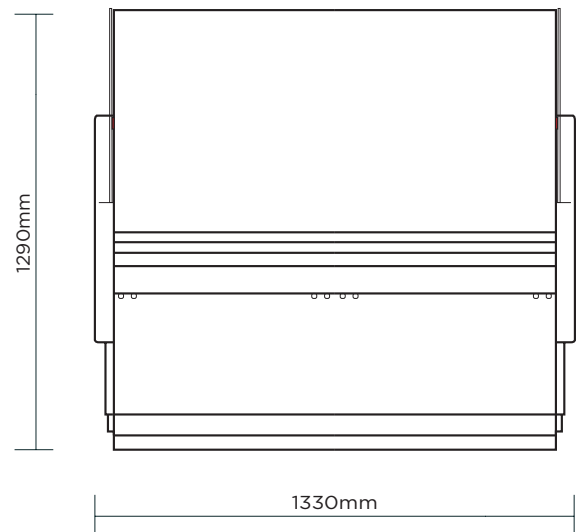
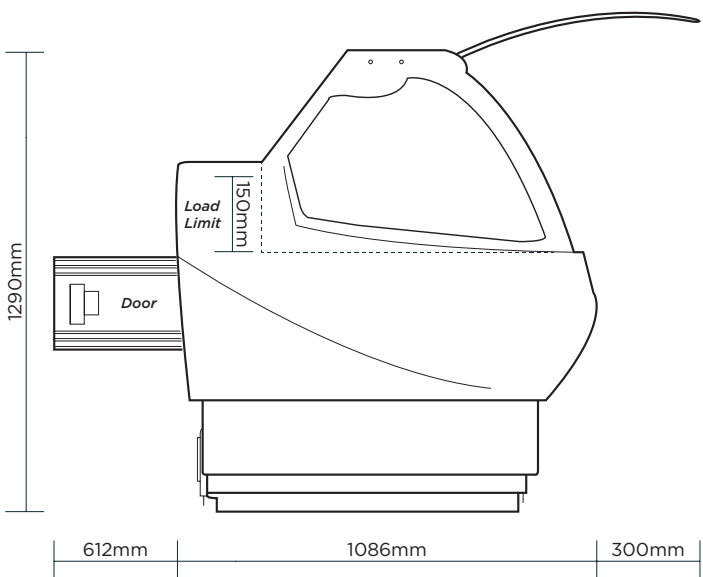
Curved Glass Deli Display 1330mm

| Deli Displays



Curved Glass Deli Display 1330mm

| Deli Displays



SPECIFICATIONS

DIMENSIONS

Part Number	3335636	Cord Length	2m	External (mm)
Volume	351L	Internal Light	LED	
Unit Weight	237kg	Colour Temp.	4000K	
Packaged Weight	249kg	Door Lock	No	Width
Adjustable Temp. Range	-1 to 10°C	No. of Doors	1	Depth
Max. Ambient Temp. Range	25°C	Door Type	Solid	Height
Climate Class	3M1	Door Style	Hinged	Packaged (mm)
Energy Consumption	6.1kWh/24h	Door Swing Dimension	612mm	
Refrigeration Capacity	389W	Total Depth of Door Open	1698mm	
Refrigerant	R290	Defrost System	Automatic	Width
Air-Circulation	Fan Forced	Temp. Controller	Digital	Depth
Rated Current	1.69A	Rear Storage	Yes	Height
Electrical Voltage	220-240V	Castors	Yes	
Frequency	50Hz	Hydraulic Lift-up System	Yes	
Power Supply	Single Phase	Front Lifting Glass	Yes	
Power Plug	1 x 10A	Colour	Grey	
Plug Location	Rear, bottom left	Warranty	2 Years Bromic Extra Care Warranty - Labour and Parts	