

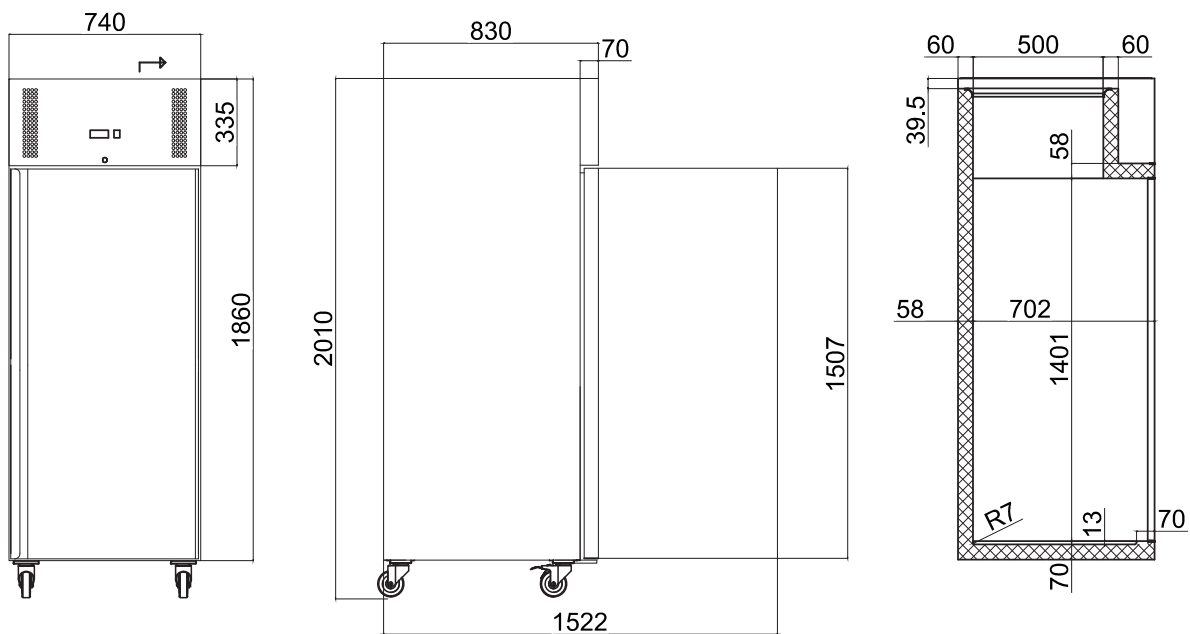
Upright Fridge 650L - 1 Door - Stainless Steel

| Vertical Display & Storage



Upright Fridge 650L - 1 Door - Stainless Steel

| Vertical Display & Storage



SPECIFICATIONS

Model Number	UC0650SD-NR
Part Number	3735161-NR
Volume	650L
Unit Weight	143kg
Packaged Weight	148kg
Adjustable Temp. Range	+1°C to +5°C
Max. Ambient Temp.	38°C
Climate Class	4M1
Energy Consumption	2.55kWh/24h
GEMS Star Rating	3 stars
Refrigeration Capacity	360W
Air Circulation	Fan Forced
Refrigerant	R290
Rated Current	3A
Electrical Voltage	220-240V
Frequency	50Hz
Power Supply	Single Phase
Power Plug	1 x 10A
Plug Location	Rear, top left

Colour	Stainless Steel
Display Light Box	No
Internal Light	LED
No. of Doors	1
Door Type	Solid
Door Style	Hinged
Door Shape	Flat
Door Swing Dimension	830mm
Total Depth of door open	1520mm
Self-Closing Door	Yes
Door Lock	Yes
No. of Shelf Tiers incl Base	6
Shelf Type	Adjustable
Shelves Dimensions	530(w) x 650(d) mm
Temp. Controller	Digital
Castors	Yes
Warranty	2 Years Bromic Extra Care Warranty - Labour and Parts

DIMENSIONS

	External (mm)
Width	740
Depth	830
Height	2010
	Internal (mm)
Width	624
Depth	685
Height	1390
	Packaged (mm)
Width	769
Depth	855
Height	2062