

Back Bar Fridge 118L - 1 Door - Hinged

| Bar Fridge & Freezers



Seamless under bench installation design saves space

Digital controller to maintain optimal temperature for your drinks

Double-glazed safety glass doors prevent condensation

Suitable for storage of perishable drinks with 3M1 climate class

2 Years Bromic Extra Care Warranty - Labour and Parts

Narrow wired shelves to keep bottles securely in place

Fully compliant with Australian safety standards and regulations

2 adjustable shelves plus base to store bottles of varying sizes

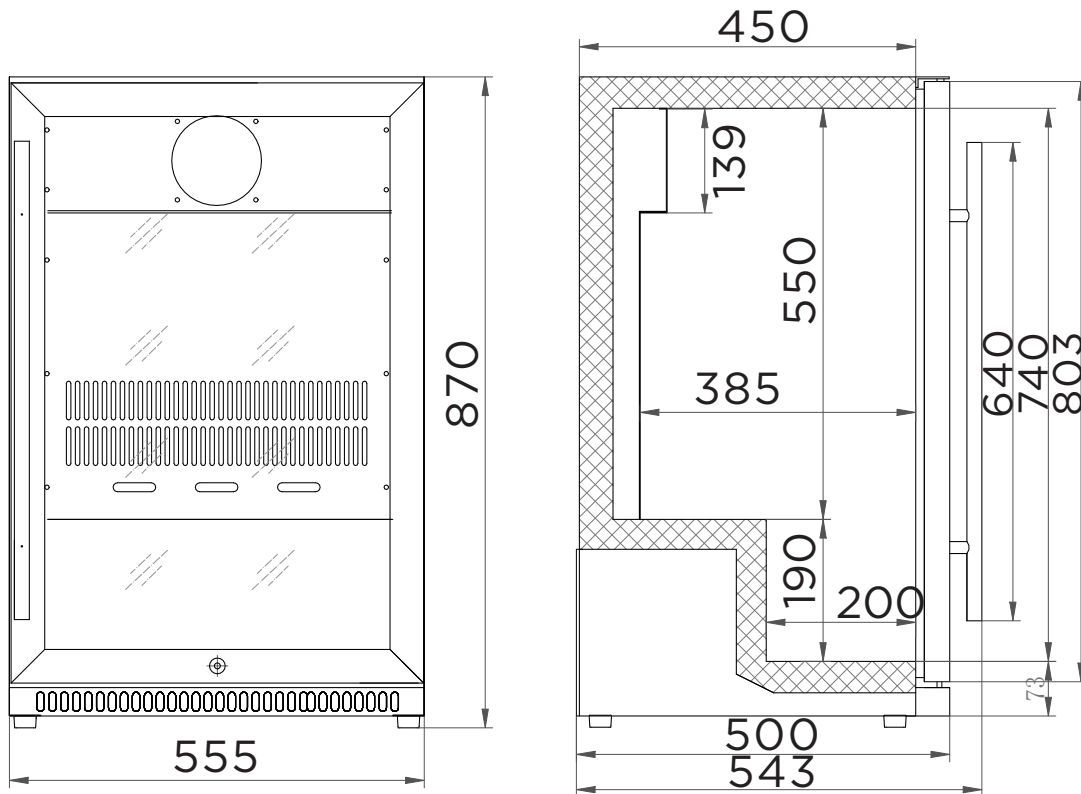
Natural refrigerant for improved energy efficiency

Durable materials withstand constant use in a commercial environment

High-impact LED lighting to enhance the visibility of the drinks

Back Bar Fridge 118L - 1 Door - Hinged

| Bar Fridge & Freezers



SPECIFICATIONS **DIMENSIONS**

Model Number	BB0120GD-NR-1	Colour	Black	External (mm)
Part Number	3736070-1	Internal Light	LED	Width 555
Volume	118L	No. of Doors	1	Depth 543
Unit Weight	58kg	Door Type	Glass	Height 870
Packaged Weight	60kg	Door Glass Type	Double Glazed	
Adjustable Temp. Range	+1 to +10°C	Door Style	Hinged	Internal (mm)
Max. Ambient Temp.	38°C	Door Swing Dimension	553mm	Width 470
Climate Class	3M1	Total Depth of Door Open	1022mm	Depth 385
Energy Consumption	1.44kWh/24h	Self-Closing Door	Yes	Height 740
GEMS Star Rating	6 stars	Door Lock	Yes	
Refrigeration Capacity	182W	No. of Shelf Tiers inc Base	3	Packaged (mm)
Refrigerant	R600	Shelf Type	Adjustable	Width 605
Rated Current	0.95A	Shelves Dimensions	456(w) x 360(d) mm	Depth 564
Electrical Voltage	220-240V	Temp. Controller	Digital	Height 895
Frequency	50Hz	Castors	No, adjustable feet	
Power Supply	Single Phase	Warranty	2 Year Parts & Labour	
Power Plug	1 x 10A		Bromic Extra Care	
Plug Location	Rear, bottom			