

ICEU305 - Self Contained Cube Ice Maker

Ice Form



CUBE

FULL CUBE DIMENSIONS

W x D x H (mm)	22 x 22 x 22
----------------	--------------

HALF CUBE DIMENSIONS

W x D x H (mm)	10 x 22 x 22
----------------	--------------



Features

- Space-saving 771mm wide undercounter design.
- Produces up to 136kg of ice per day.
- Harvest Assist provides consistent ice production for the life of the ice maker while reducing energy consumption and increasing capacity.
- Pure Ice® exclusively by Ice-O-Matic. Built-in antimicrobial protection for the life of the ice maker inhibits bacteria growth on ice maker surfaces. Coast's optional water filtration system provides protection against unpleasant tastes, odours and scale formation.
- Durable, electroless nickel plating on all evaporator plates ensures reliability.
- Constructed from corrosion-resistant stainless steel and fingerprint-proof plastic.
- Made in U.S.A

Warranty: 3 years parts and labour, and 5 years parts coverage on evaporator and compressor.

Options & Accessories

Recommended Water Filter	
System	Replacement
CD10	CD100

Space-Saving Solutions

- Front air discharge design for compact spaces.
- Low profile top saves counter space.
- Stores up to 44kg of ice.
- Easy front access to ice.



WaterMark

S105
Certificate No. 23245

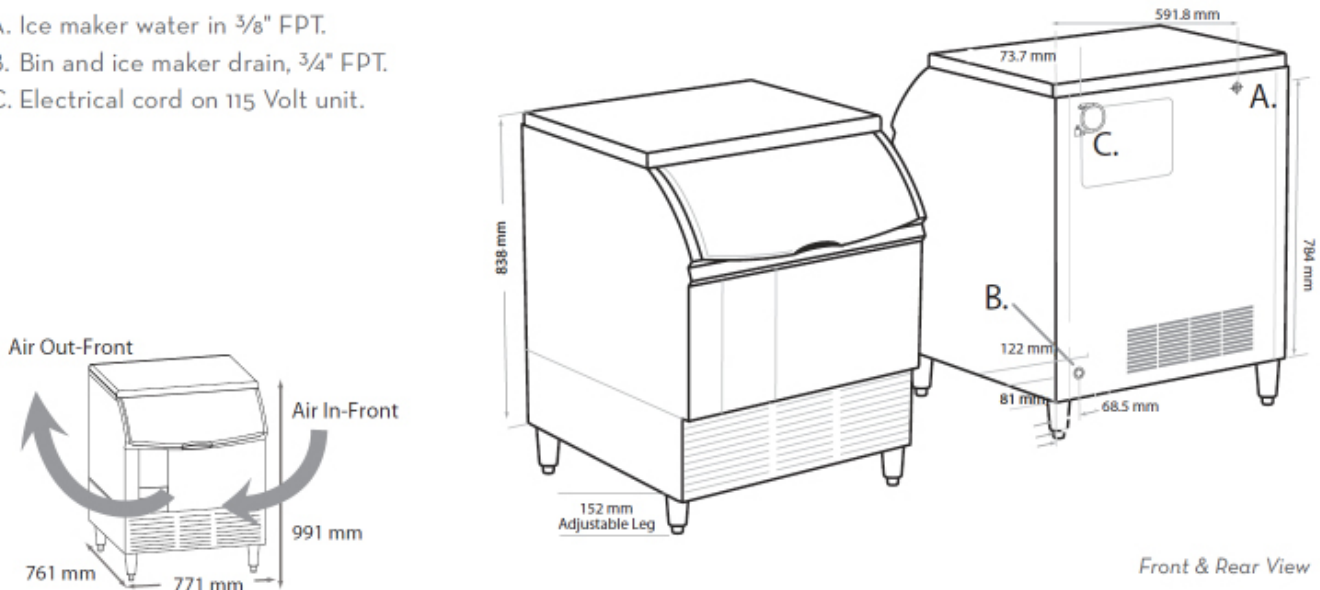


Nature's antimicrobial

ICEU305 - Self Contained Cube Ice Maker

Air and Water Cooled

- A. Ice maker water in 3/8" FPT.
- B. Bin and ice maker drain, 3/4" FPT.
- C. Electrical cord on 115 Volt unit.



Dimensions

Model ICU305	
W x D x H (mm)	771 x 761 x 991
870mm high on castors	

Operating Requirements

	Minimum	Maximum (50Hz)
Ambient Temp. Range Air	10°C	43°C
Water Temp.	4.4°C	
Water Pressure	1.4 BAR	4.1 BAR

Specifications

Model	Cond. Unit	Ice Production		Water Usage	KWH Used	Watts Used	Voltage Characteristics	Min. Circuit Ampacity	Fuse Size	Approx. BTUs
		Per 24 hrs @ 21°C air / 10°C water	Per 24 hrs @ 32°C air / 21°C water	Litres per 45kg of ice @ 32°C air / 21°C water	Per 45 kg of ice @ 32°C air / 21°C water	Per Hr @ 32°C air / 21°C water				Per hr
ICEU305	Air	136kg	101kg	116	7.70	720	220-240/50/1	6.4	15	5,392

Notes

- Number of wires: 3 (including ground)
- Approx. Shipping Weight: 93kg
- R404A

