

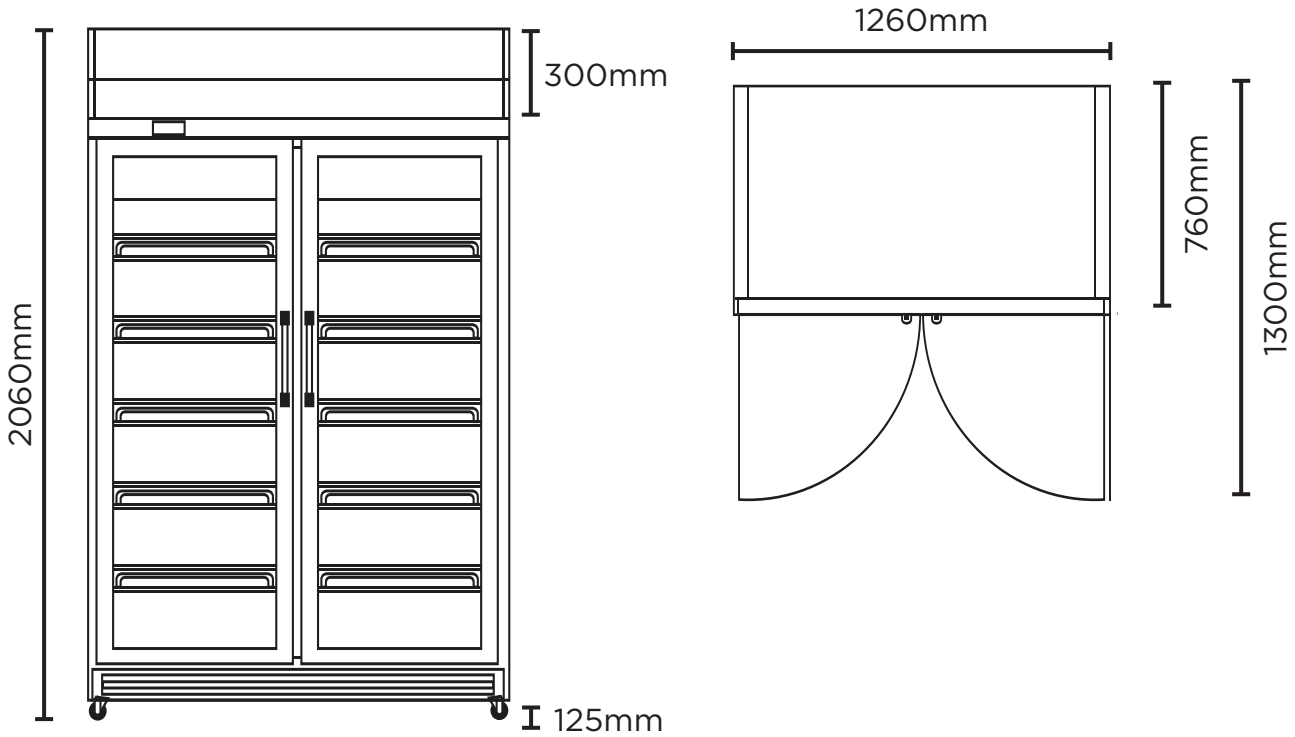
## GD1000LF | Flat Glass Door 976L LED Display Chillers

### Vertical Displays & Storage



## GD1000LF | Flat Glass Door 976L LED Display Chillers

### Vertical Displays & Storage



### SPECIFICATIONS

Part Number	3736246	Door Swing Dimension	720mm
Capacity	976L	Total Depth of door open	1300mm
Temperature Range	+2 to +8°C	Door Shape	Flat
Max. Ambient Temp.	38°C	Self-Closing Door	Yes
Refrigeration Capacity	1000W	Door Lock	Yes
Energy Consumption	10.55kWh/24h	No. of Doors	2
Current	5.6A	Temp. Controller	Digital
Gross Weight	157kg	Castors	Yes
Packaged Dimensions	1330 x 820 x 2100 mm	No. of Shelves Incl. Base Per Door	6
Air-Circulation	Fan Forced	Shelves Dimensions	546 x 475mm
Drainage Points	No Drainage Required	Colour	White with S/Steel Trim
Refrigerant	R134a	Warranty	1 Year, Parts & Labour
Plug Supplied	Yes, 1 x 10A	Warranty Service	Bromic Extra Care
Plug Location	Top right		
Display Light Box	Yes		
Internal Light	LED		
Door Type	Double glazed safety glass door		

### DIMENSIONS

External (mm)	
Width	1260
Depth	760
Height	2060
Internal (mm)	
Width	1143
Depth	550
Height	1420

BROMIC PTY Ltd reserve the right to alter specifications without notice.